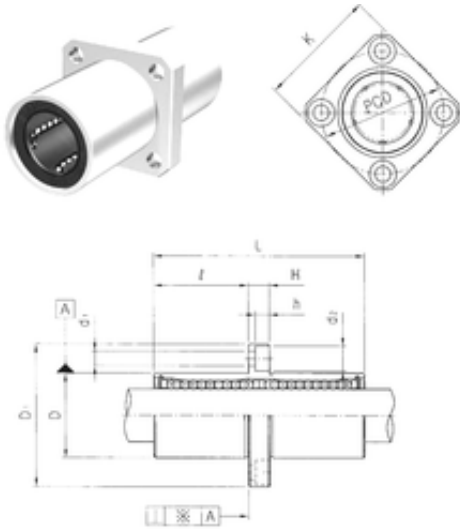




Bearing equipment manufacturing Co., Ltd



LMEKM60 Bearing 2D drawings and 3D CAD models

Samick LMEKM60 linear bearings

Bearing No. LMEKM60

Bore Diameter	60 mm
Outer Diameter	90 mm
d	60 mm
D	90 mm
K	106 mm
d1	11 mm
d2	17,5 mm
h	10,8 mm
D1	134 mm
H	18 mm
L	211 mm
PCD	112 mm
	96,5 Tolerance h14
Tolerance perpendicularity (C)	25
Weight	4,5 Kg
Basic dynamic load rating (C)	7,65 kN