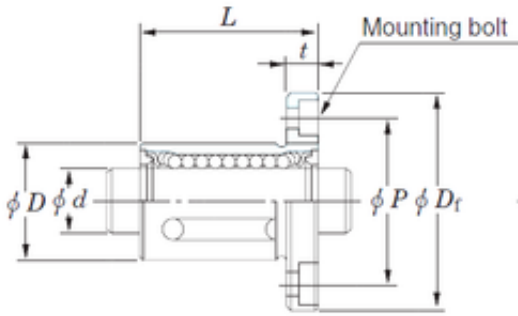




# Bearing equipment manufacturing Co., Ltd



SDMF60 Bearing 2D drawings and 3D CAD models

## KOYO SDMF60 linear bearings

Bearing No. SDMF60

Bore Diameter	60 mm
Outer Diameter	90 mm
Fw	60 mm
D	90 mm
P	112 mm
t	18 mm
D1	134 mm
K	106 mm
L	110 mm
Bolt (G)	M10
Weight	2800 Kg
Basic dynamic load rating (C)	5170 kN