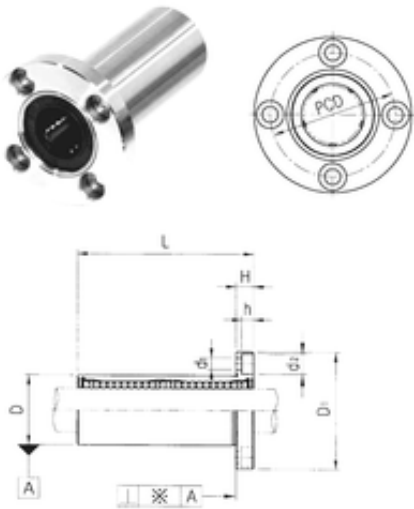




Bearing equipment manufacturing Co., Ltd



Samick LMEF16LUU linear bearings

Bearing No. LMEF16LUU

Bore Diameter	16 mm
Outer Diameter	26 mm
d	16 mm
D	26 mm
d1	4,5 mm
d2	8 mm
h	4,4 mm
D1	46 mm
H	6 mm
L	70 mm
PCD	36 mm
Tolerance perpendicularity (C)	15
Weight	0,187 Kg
Basic dynamic load rating (C)	1,23 kN

LMEF16LUU Bearing 2D drawings and 3D CAD models