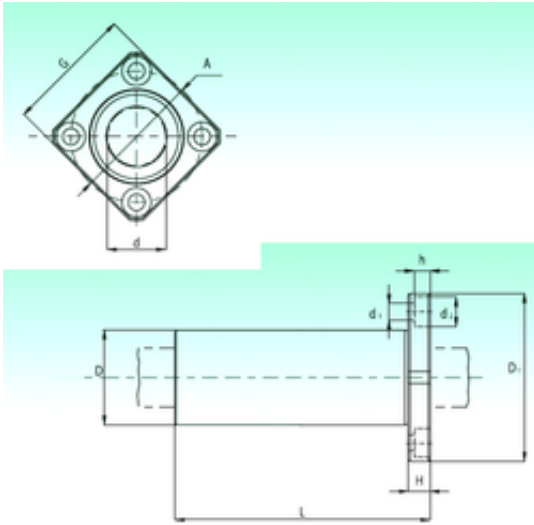




Bearing equipment manufacturing Co., Ltd



KBKL 40-PP Bearing 2D drawings and 3D CAD models

NBS KBKL 40-PP linear bearings

Bearing No. KBKL 40-PP

Bore Diameter	40 mm
Outer Diameter	62 mm
d	40 mm
D	62 mm
d1	9 mm
d2	14 mm
h	8,6 mm
A	80 mm
D1	98 mm
G	75 mm
H	13 mm
L	154 mm
Weight	1,38 Kg
Basic dynamic load rating (C)	3,43 kN