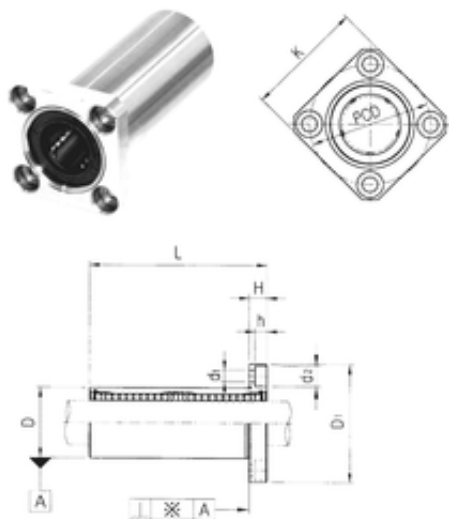




Bearing equipment manufacturing Co., Ltd



Samick LMEK30LUU linear bearings

Bearing No. LMEK30LUU

Bore Diameter	30 mm
Outer Diameter	47 mm
d	30 mm
D	47 mm
K	6,6 mm
d1	11 mm
d2	6,5 mm
h	60 mm
D1	76 mm
H	10 mm
L	123 mm
PCD	62 mm
Tolerance perpendicularity (C)	17
Weight	0,655 Kg
Basic dynamic load rating (C)	2490 kN

LMEK30LUU Bearing 2D drawings and 3D CAD models