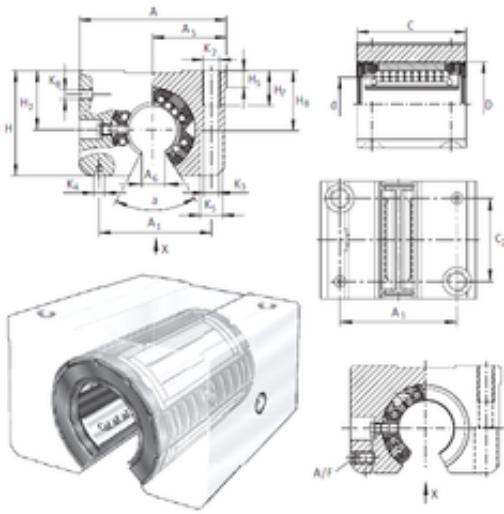




# Bearing equipment manufacturing Co., Ltd



KGSNOS30-PP-AS Bearing 2D drawings and 3D CAD models

## INA KGSNOS30-PP-AS linear bearings

Bearing No. KGSNOS30-PP-AS

Bore Diameter	30 mm
Outer Diameter	47 mm
d	30 mm
D	47 mm
A6	14,3 mm
A/F	3 mm
H5	9,7 mm
H7	22 mm
H8	34 mm
K2	8,4 mm
K3	2,5 mm
K4	X5,3
K5	15 mm
Thread (K2)	M10
Thread (K8)	NIP 5 MZ
A5	43,5 mm
Angle (?)	57 °
A	87 mm
A1	68 mm
C	68 mm
H	60 mm
H2	35 mm
C2	45 mm
Weight	0,76 Kg
Basic dynamic load rating (C)	5,9 kN