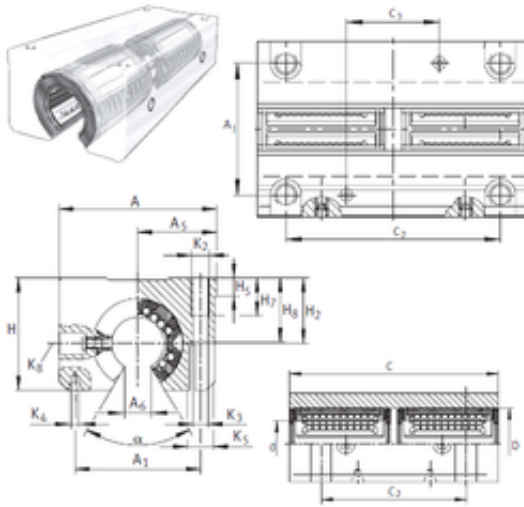




Bearing equipment manufacturing Co., Ltd



KTSO30-PP-AS Bearing 2D drawings and 3D CAD models

INA KTSO30-PP-AS linear bearings

Bearing No. KTSO30-PP-AS

| | |
|-------------------------------|----------|
| Bore Diameter | 30 mm |
| d | 30 mm |
| A6 | 14,3 mm |
| H5 | 9,7 mm |
| H7 | 22 mm |
| H8 | 34 mm |
| K3 | 8,4 mm |
| K4 | 2,5 mm |
| K5 | 15 mm |
| Thread (K2) | M10 |
| Thread (K8) | NIP 5 MZ |
| A5 | 43,5 mm |
| C3 | 54 mm |
| Angle (?) | 57 ° |
| A | 87 mm |
| A1 | 68 mm |
| C | 142 mm |
| D | 47 mm |
| H | 60 mm |
| H2 | 35 mm |
| C2 | 106 mm |
| Weight | 1,8 Kg |
| Basic dynamic load rating (C) | 9,6 kN |