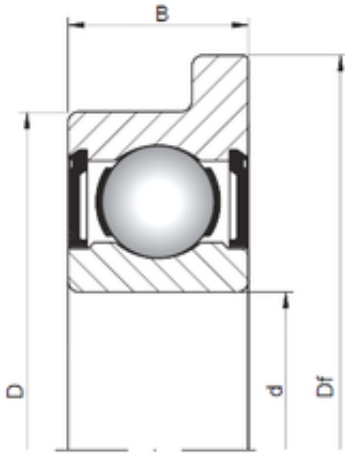




Bearing equipment manufacturing Co., Ltd



5 mm x 16 mm x 5 mm ISO FL625 ZZ deep groove ball bearings

Bearing No. FL625 ZZ

Size	5x16x5 mm
Bore Diameter	5 mm
Outer Diameter	16 mm
Width	5 mm
d	5 mm
D	16 mm
B	5 mm
C	5 mm
Df	18 mm

FL625 ZZ Bearing 2D drawings and 3D CAD models