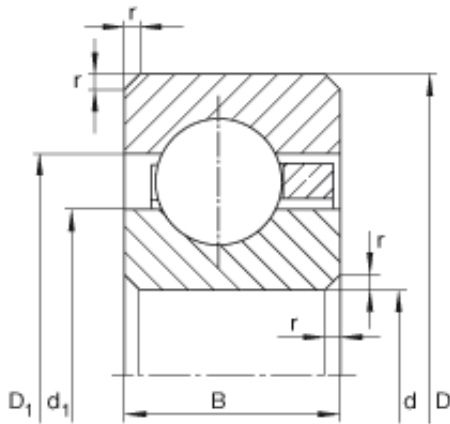




Bearing equipment manufacturing Co., Ltd



11 inch x 298,45 mm x 9,525 mm INA
CSCC110 deep groove ball bearings

Bearing No. CSCC110

Size	279.4x298.45x9.525 mm
Bore Diameter	279,4 mm
Outer Diameter	298,45 mm
Width	9,525 mm
d	279,4 mm
d	11 inch
D	298,45 mm
B	9,525 mm
D ₁	291,4 mm
d ₁	286,4 mm
r _{min}	1 mm
m	0,53 kg / Weight
C _r	11200 N / Dynamic load rating (radial)
C _{0r}	22200 N / Static load rating (radial)

CSCC110 Bearing 2D drawings and 3D CAD models