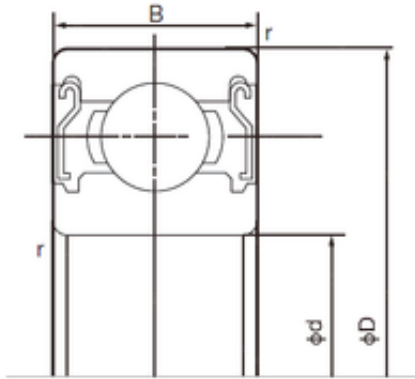




Bearing equipment manufacturing Co., Ltd

55 mm x 100 mm x 21 mm NACHI 6211ZZE deep groove ball bearings



Bearing No. 6211ZZE

6211ZZE Bearing 2D drawings and 3D CAD models

Size	55x100x21 mm
Bore Diameter	55 mm
Outer Diameter	100 mm
Width	21 mm
d	55 mm
D	100 mm
B	21 mm
C	21 mm
r min.	1.5 mm
da min.	64 mm
Da max.	91 mm
ra max.	1.5 mm
Weight	0.607 Kg
Basic dynamic load rating (C)	43,5 kN
Basic static load rating (C0)	29,3 kN
Category	Single Row Ball Bearings
Inventory	0.0
Manufacturer Name	NACHI
Minimum Buy Quantity	N/A
Weight / Kilogram	0
EAN	4991893725803
Product Group	B00308
Enclosure	2 Metal Shields
Precision Class	ABEC 1 ISO P0
Maximum Capacity / Filling	No



Bearing equipment manufacturing Co., Ltd

Slot	
Rolling Element	Ball Bearing
Snap Ring	No
Internal Special Features	No
Cage Material	Steel
Internal Clearance	C0-Medium
Inch - Metric	Metric
Long Description	55MM Bore; 100MM Outside Diameter; 21MM Outer Race Width; 2 Metal Shields; Ball Bearing; ABEC 1 ISO P0; No Filling Slot; No Snap Ring; No Internal Special Features; C0-Medium Internal Clearance; Ste
Other Features	Deep Groove
Category	Single Row Ball Bearing
UNSPSC	31171504
Harmonized Tariff Code	8482.10.50.68
Noun	Bearing
Keyword String	Ball
Manufacturer URL	http://www.nachiamerica.com
Bore	2.165 Inch 55 Millimeter
Outside Diameter	3.937 Inch 100 Millimeter
Outer Race Width	0.827 Inch 21 Millimeter
Inner Race Width	0 Inch 0 Millimeter
Bore Type	Cylindrical Bore
Configuration	Single Row
Bore Size	55 mm
Width	21 mm
Fillet Radius/Chamfer	1.5 mm
Dynamic Load Rating	43,500 N
Static Load Rating	29,300 N



Bearing equipment manufacturing Co., Ltd

Limiting Speed - Grease	6,400 rpm
Factor f_0	14.4
Radial Clearance	0.008 to 0.028 mm
d_a (min)	64 mm
D_a (max)	91 mm
r_a (max)	1.5 mm