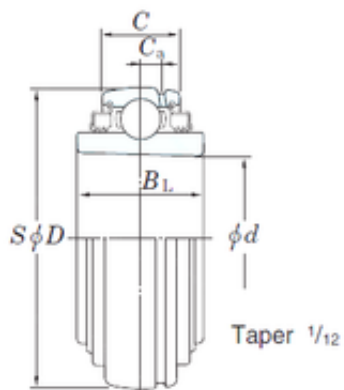




Bearing equipment manufacturing Co., Ltd

35 mm x 80 mm x 33 mm KOYO UK307L3
deep groove ball bearings



Bearing No. UK307L3

Size	35x80x33 mm
Bore Diameter	35 mm
Outer Diameter	80 mm
Width	33 mm
d	35 mm
D	80 mm
B	33 mm
C	26 mm
C	7,5 mm
Weight	0,6 Kg
Basic dynamic load rating (C)	33,4 kN
Basic static load rating (C0)	19,3 kN

UK307L3 Bearing 2D drawings and 3D CAD models