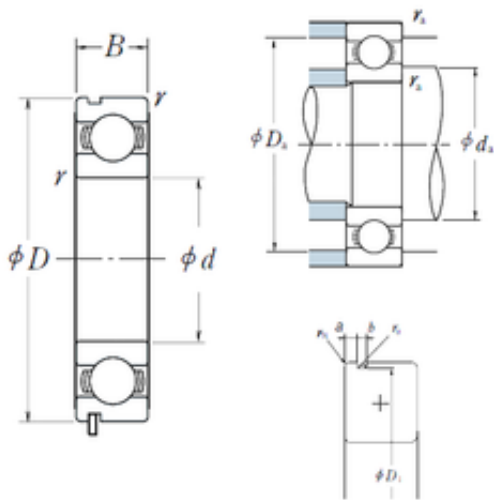




Bearing equipment manufacturing Co., Ltd



70 mm x 150 mm x 35 mm NSK 6314N deep groove ball bearings

Bearing No. 6314N

Size	70x150x35 mm
Bore Diameter	70 mm
Outer Diameter	150 mm
Width	35 mm
d	70 mm
D	150 mm
B	35 mm
C	35 mm
rn	0,5 mm
a	4,9 mm
b	3,1 mm
r min.	2,1 mm
r0 max.	0,6 mm
D1	145,24 mm
da min.	81 mm
da max	92 mm
Da max.	139 mm
ra max.	2 mm
Weight	2,57 Kg
Basic dynamic load rating (C)	104 kN
Basic static load rating (C0)	68 kN
(Grease) Lubrication Speed	4 500 r/min
(Oil) Lubrication Speed	5 300 r/min
SRI	13.14
hidYobi	6314N

6314N Bearing 2D drawings and 3D CAD models



Bearing equipment manufacturing Co., Ltd

LangID	1
ro	0.6
D_	150
SREX	0.05
B_	35
da min	81
hidTable	ecat_NSRDGB
Oil rpm	5300
SRE	13.14
mass	2.57
GRS rpm	4500
ra	2
SRIX	0.05
D_a	139
SRIN	-0.05
C0	68
fo	13.2
SREN	-0.05
DE_	135.4
Prod_Type3	DGBB_SR_N_OT
DA_	25.4
bomp	0
Z_	8
yobi	6314N
C_conv	104000
ALPHA_	0
SDM_	110
r	2.1
KBRG	6101
SBRG	3
DI_	84.6