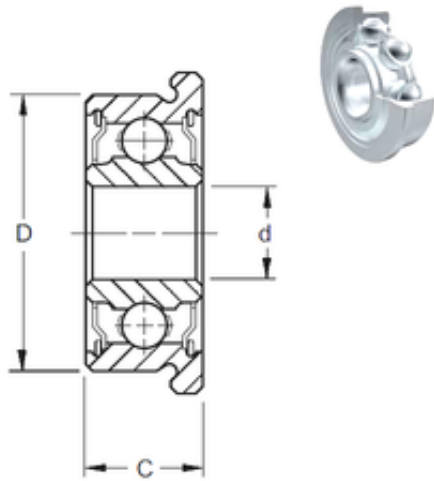




Bearing equipment manufacturing Co., Ltd



8 mm x 16 mm x 5 mm ZEN F688-2Z deep groove ball bearings

Bearing No. F688-2Z

Size	8x16x5 mm
Bore Diameter	8 mm
Outer Diameter	16 mm
Width	5 mm
d	8 mm
D	16 mm
B	5 mm
C	5 mm
Basic dynamic load rating (C)	1,252 kN
Basic static load rating (C0)	0,592 kN

F688-2Z Bearing 2D drawings and 3D CAD models