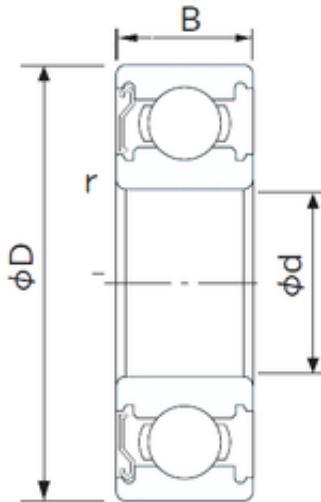




Bearing equipment manufacturing Co., Ltd



75 mm x 95 mm x 10 mm NACHI 6815Z deep groove ball bearings

Bearing No. 6815Z

Size	75x95x10 mm
Bore Diameter	75 mm
Outer Diameter	95 mm
Width	10 mm
d	75 mm
D	95 mm
B	10 mm
C	10 mm
r min.	0.6 mm
da min.	79 mm
Da max.	91 mm
ra max.	0.6 mm
Weight	0.145 Kg
Basic dynamic load rating (C)	12,5 kN
Basic static load rating (C0)	12,8 kN
(Grease) Lubrication Speed	6500 r/min

6815Z Bearing 2D drawings and 3D CAD models