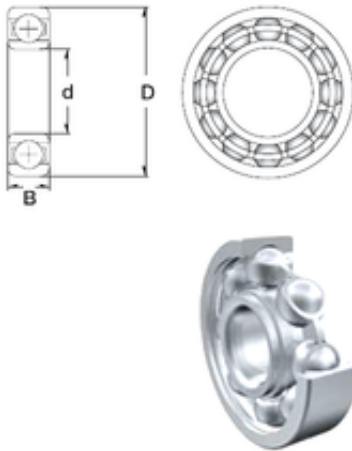




Bearing equipment manufacturing Co., Ltd



2 mm x 7 mm x 3,5 mm ZEN S602-2Z deep groove ball bearings

Bearing No. S602-2Z

Size	2x7x3.5 mm
Bore Diameter	2 mm
Outer Diameter	7 mm
Width	3,5 mm
d	2 mm
D	7 mm
B	3,5 mm
C	3,5 mm
Basic dynamic load rating (C)	0,386 kN
Basic static load rating (C0)	0,129 kN

S602-2Z Bearing 2D drawings and 3D CAD models