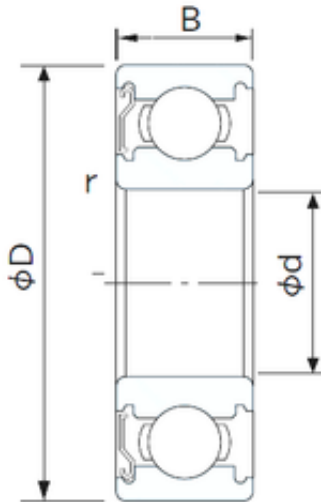




## Bearing equipment manufacturing Co., Ltd



32 mm x 65 mm x 17 mm NACHI 62/32ZE  
deep groove ball bearings

Bearing No. 62/32ZE

Size	32x65x17 mm
Bore Diameter	32 mm
Outer Diameter	65 mm
Width	17 mm
d	32 mm
D	65 mm
B	17 mm
C	17 mm
r min.	1 mm
da min.	38 mm
Da max.	59 mm
ra max.	1.0 mm
Weight	0.230 Kg
Basic dynamic load rating (C)	22,4 kN
Basic static load rating (C0)	13,1 kN
(Grease) Lubrication Speed	9500 r/min

62/32ZE Bearing 2D drawings and 3D CAD models