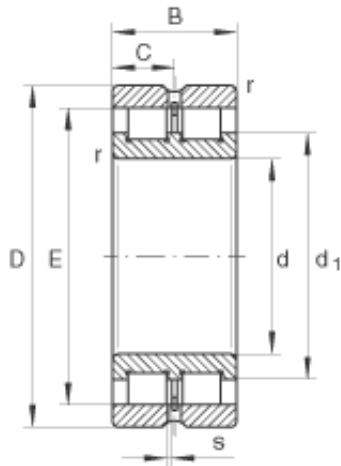




Bearing equipment manufacturing Co., Ltd



70 mm x 100 mm x 30 mm INA SL024914
cylindrical roller bearings

Bearing No. SL024914

SL024914 Bearing 2D drawings and 3D CAD models

Size	70x100x30 mm
Bore Diameter	70 mm
Outer Diameter	100 mm
Width	30 mm
d	70 mm
D	100 mm
B	30 mm
C	15 mm
d ₁	82,5 mm
E	91,87 mm
r _{min}	1 mm
s	1 mm / Axial displacement
	NNCL4914V / Designation to DIN 5412
m	0,75 kg / Weight
C _r	106000 N / Dynamic load rating (radial)
C _{0r}	185000 N / Static load rating (radial)
C _{ur}	27000 N / Fatigue limit load, radial
n _G	3900 1/min / Limiting speed
Category	Cylindrical Roller Bearings
Inventory	0.0
Manufacturer Name	SCHAEFFLER GROUP
Minimum Buy Quantity	N/A



Bearing equipment manufacturing Co., Ltd

Weight / Kilogram	0.899
EAN	4012802135039
Product Group	B04144
Bore Profile	Straight
Cage Material	None
Precision Class	RBEC 1 ISO P0
Number of Rows of Rollers	Double Row
Separable	Outer Ring - Both Sides
Rolling Element	Cylindrical Roller Bearing
Profile	Complete with Outer and Inner Ring
Snap Ring	No
Internal Clearance	C0-Medium
Retainer	No
Relubricatable	Yes
Inch - Metric	Metric
Other Features	Full Complement 3 Rib Inner Ring Plain Outer Ring Operating Temperature From -30 to 120 Deg
Long Description	70MM Bore; Straight Bore Profile; 100MM Outside Diameter; 30MM Width; RBEC 1 ISO P0; Double Row; Outer Ring - Both Sides Separable; No Snap Ring; Relubricatable; C0-Medium Internal Clearance; No Ret
Category	Cylindrical Roller Bearing
UNSPSC	31171547
Harmonized Tariff Code	8482.50.00.00
Noun	Bearing
Manufacturer URL	http://www.ina.com
Manufacturer Item Number	SL024914



Bearing equipment manufacturing Co., Ltd

Weight / LBS	1.98
Bore	2.756 Inch 70 Millimeter
Width	1.181 Inch 30 Millimeter
Outside Diameter	3.937 Inch 100 Millimeter