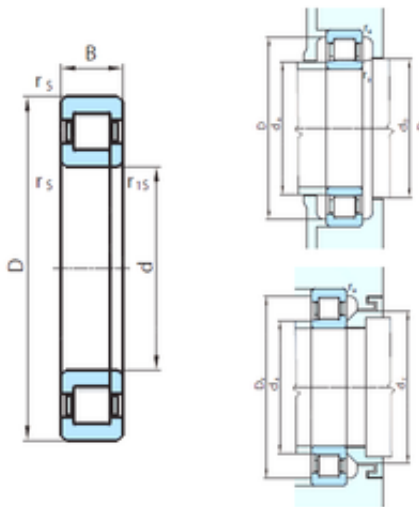




Bearing equipment manufacturing Co., Ltd



1180 mm x 1540 mm x 206 mm PSL NUP29/1180 cylindrical roller bearings

Bearing No. NUP29/1180

Size	1180x1540x206 mm
Bore Diameter	1180 mm
Outer Diameter	1540 mm
Width	206 mm
d	1180 mm
F	1280 mm
D	1540 mm
B	206 mm
C	206 mm
dc min	1316 mm
r min.	10 mm
r1 max.	10 mm
S	21 mm
da min.	1216 mm
da max	1275 mm
Da max.	1504 mm
db min	1285 mm
ra max.	6 mm
Weight	1050 Kg
Basic dynamic load rating (C)	6310 kN
Basic static load rating (C0)	15300 kN
(Grease) Lubrication Speed	250 r/min

NUP29/1180 Bearing 2D drawings and 3D CAD models