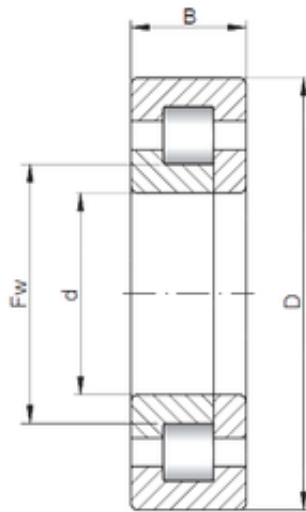




Bearing equipment manufacturing Co., Ltd



460 mm x 830 mm x 165 mm ISO NUP1292
cylindrical roller bearings

Bearing No. NUP1292

Size	460x830x165 mm
Bore Diameter	460 mm
Outer Diameter	830 mm
Width	165 mm
d	460 mm
D	830 mm
B	165 mm
C	165 mm

NUP1292 Bearing 2D drawings and 3D CAD models