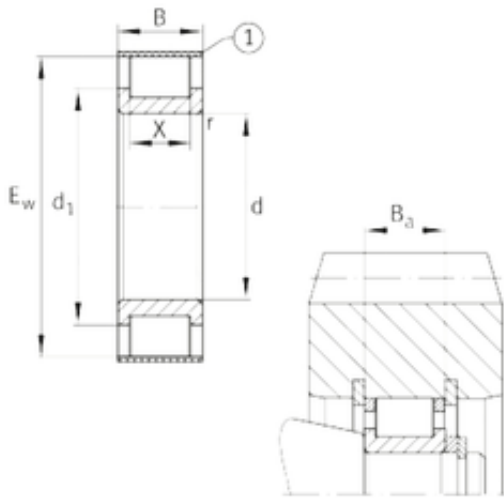




Bearing equipment manufacturing Co., Ltd



INA RSL182311-A cylindrical roller bearings

Bearing No. RSL182311-A

Size	55x109.11x43 mm
Bore Diameter	55 mm
Outer Diameter	109,11 mm
Width	43 mm
d	55 mm
Ew	109,11 mm
B	43 mm
Ba	38,6 mm
X	30 mm
d1	76 mm
r min.	2 mm
Weight	1,54 Kg
Basic dynamic load rating (C)	242 kN

RSL182311-A Bearing 2D drawings and 3D CAD models