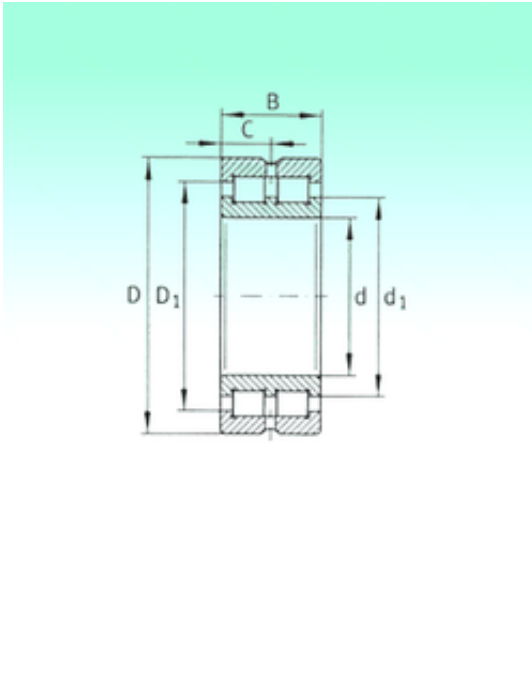




## Bearing equipment manufacturing Co., Ltd



SL014930 Bearing 2D drawings and 3D CAD models

150 mm x 210 mm x 60 mm NBS SL014930  
cylindrical roller bearings

Bearing No. SL014930

|                               |               |
|-------------------------------|---------------|
| Size                          | 150x210x60 mm |
| Bore Diameter                 | 150 mm        |
| Outer Diameter                | 210 mm        |
| Width                         | 60 mm         |
| d                             | 150 mm        |
| D                             | 210 mm        |
| B                             | 60 mm         |
| C                             | 60 mm         |
| d1                            | 171,8 mm      |
| C                             | 30 mm         |
| D1                            | 187,2 mm      |
| Weight                        | 6,65 Kg       |
| Basic dynamic load rating (C) | 415 kN        |
| Basic static load rating (C0) | 840 kN        |